



<b>EAN:</b>	4013288222190	<b>Size:</b>	140x70x25 mm
<b>Part number:</b>	05004182001	<b>Weight:</b>	86 g
<b>Article number:</b>	Bicycle Set 15	<b>Country of origin:</b>	CZ
		<b>Customs tariff number:</b>	82079030

- Innovative, extremely compact quadruple bit - only one bit for four different screw sizes
- Super space-saving solution, ideal for mobile use
- Compact, secure and very simple retainer in the Wera tyre jacks
- The hexagon mounting of the tyre jack allows a torque of up to 10 Nm
- Significant weight savings and better overview of the tools when on tour

The ultra compact and lightweight bike tools with two quadruple bits and three tyre jacks.

Four different screw profiles can be operated with just one bit. Significant weight savings of over 50 %. The enormous space savings make the Bicycle Set 15 perfect for mobile use. The operability of the large profiles is made possible by the spring compression of the small tips. The bit with a 1/4" hexagon drive (Wera connection series 1) can also be used with e.g. bit ratchets and bitholding screwdrivers with Rapidaptor. The 9504 tyre jack has a 1/4" mounting for using a 1/4" bit. When both 9504 tyre jacks are stacked together, a 4-in-1 bit can be inserted and you get a screwdriving tool. The 9505 tyre jack serves as both valve ejector and bleeder valve. The jacks and 4-in-1 bits can be clipped together, so that everything is compact and nothing will be lost.

#### Web link

[https://products.wera.de/en/screwdrivers\\_accessories\\_bicycle\\_set\\_15.html](https://products.wera.de/en/screwdrivers_accessories_bicycle_set_15.html)

Wera - Bicycle Set 15  
 05004182001 - 4013288222190

Wera Werkzeuge GmbH  
 Korzter Straße 21-25  
 D-42349 Wuppertal  
 Tel: +49 (0)2 02 / 40 45-0  
 E-Mail: [info@wera.de](mailto:info@wera.de)

Accessories

**Safely lever the tyres off of the rim**



Innovative, extremely compact quadruple bit - only one bit for four different screw sizes



With the glass fibre reinforced plastic tyre jacks, the tyres can be safely levered off the rim without damaging the rim. Lift off of the rim with one tyre jack, hook into a spoke and pull off the tyre with the second tyre jack. The two tyre jacks can be clicked together and are therefore not lost individually.

**The 9504 tyre jack with bit mounting**



The 1/4" hexagon mounting in the 9504 tyre lever can mount one 1/4" bit, allowing for easy connections.

**The 9505 tyre jack**



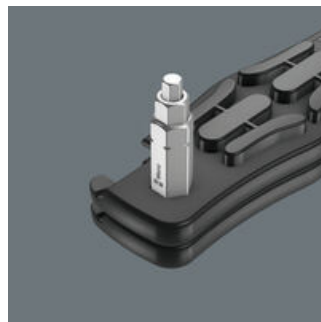
The 9505 tyre lever can be used as a valve ejector for French valves (Sclaverand) and as a bleeder for car valves.

**The Wera 4-in-1 bits**



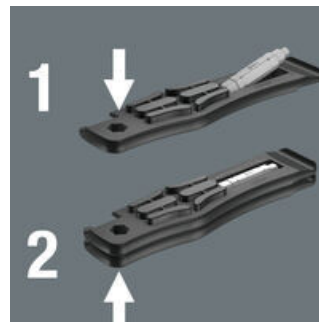
Four screw sizes can be operated with the 4-in-1 bits 9506 and 9507. The 4-in-1 bit 9506 for four sizes of hexagonal socket screws (3.0; 4.0; 5.0; 6.0), the 4-in-1 bit 9507 for three sizes of hexagonal socket screws (2.5; 5.0; 6.0) and one size of TORX® screws (TX 25). In order to use the larger profile, continuously press against the spring tension while screwdriving so that the smaller profile is countersunk and the larger profile can be used.

**Tyre jack plus bit = screwdriving tool**



When the 9504 tyre levers are stacked together, the 4-in-1 bits can be inserted in the 1/4" holder and you get a screwdriving tool.

**Compact**



The 4-in-1 bit is clipped into the 9504 tyre jack. The 9505 tyre jack can be attached so that the jack and bit form a compact package.

**Web link**

[https://products.wera.de/en/screwdrivers\\_accessories\\_bicycle\\_set\\_15.html](https://products.wera.de/en/screwdrivers_accessories_bicycle_set_15.html)

Wera - Bicycle Set 15  
05004182001 - 4013288222190

Wera Werkzeuge GmbH  
Korzter Straße 21-25  
D-42349 Wuppertal  
Tel: +49 (0)2 02 / 40 45-0  
E-Mail: info@wera.de

# Bicycle Set 15, 5 pieces

## Accessories

### Set contents:

9504 Tyre jack with bit mounting 2, 105 mm

2x 105 mm



9505 Tyre jack with bit mounting 3, 105 mm

1x 105 mm



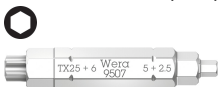
9506 4-in-1 bit 1, 3; 4; 5; 6 x 37 mm

1x 3; 4; 5; 6 x 37 mm



9507 4-in-1 bit 2, 2.5; 5; 6 x TX 25 x 37 mm

1x 2.5; 5; 6 x TX 25 x 37 mm



### Web link

[https://products.wera.de/en/screwdrivers\\_accessories\\_bicycle\\_set\\_15.html](https://products.wera.de/en/screwdrivers_accessories_bicycle_set_15.html)

Wera - Bicycle Set 15

05004182001 - 4013288222190

Wera Werkzeuge GmbH

Korzter Straße 21-25

D-42349 Wuppertal

Tel: +49 (0)2 02 / 40 45-0

E-Mail: [info@wera.de](mailto:info@wera.de)